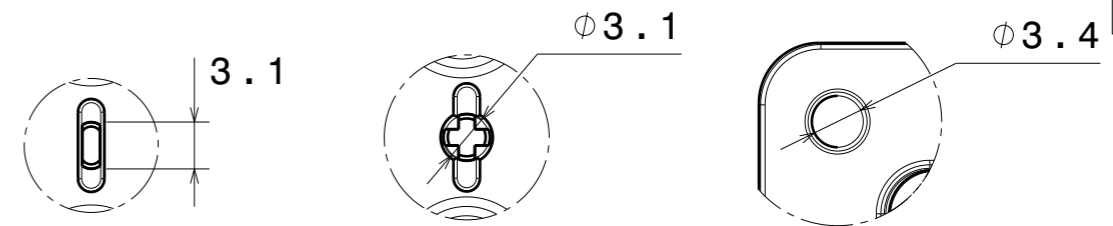
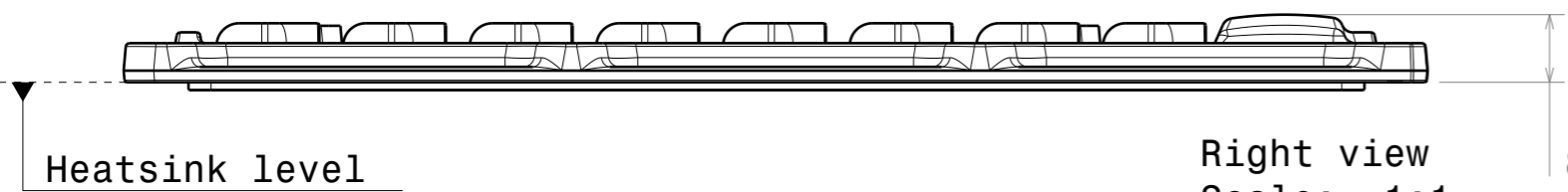


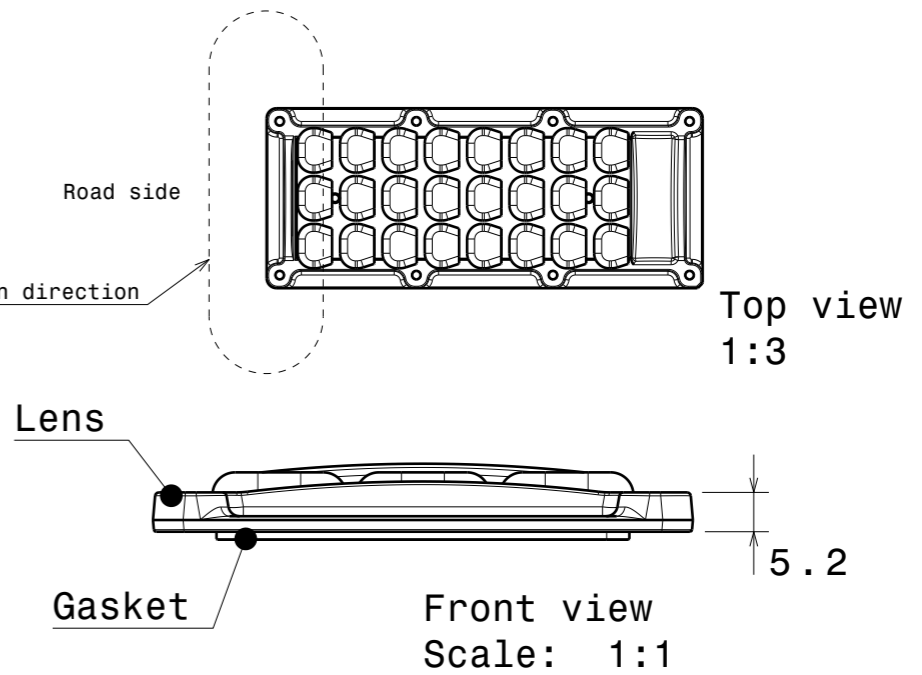
Bottom view
Scale: 1:1



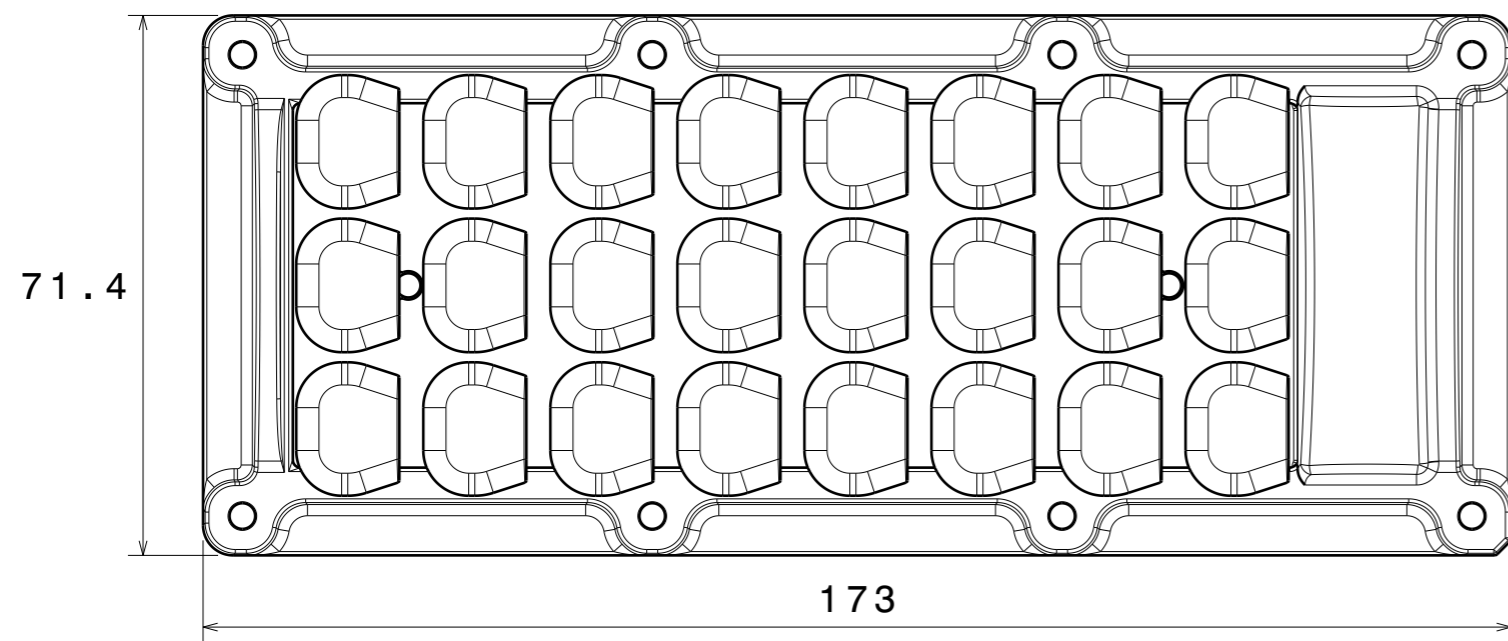
Detail C Scale: 2:1
Detail D Scale: 2:1
Detail E Scale: 2:1



Right view
Scale: 1:1



Front view
Scale: 1:1



Top view
Scale: 1:1

Notes

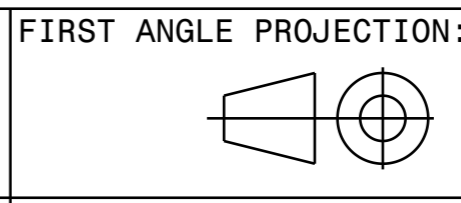
- PCB level.
- LED location
- Ensure LED fitting from a product specific 3D model available from www.ledil.com
- For more details about installation please see LEDiL Installation Guide on www.ledil.com

PART	TYPE	MATERIAL	COLOR / COATING
C17756_STRADA-IP-24-SEAL	gasket	Silicone	white
C18470_STRADA-IP-24-ME	lens	PMMA	clear

MECHANICAL DRAWING	
PRODUCT	CS18471_STRADA-IP-24-ME

LEDiL

Plastic moulding general tolerances according to DIN 16901-130 and applies if not otherwise shown in the drawing. Silicone moulding general tolerances according to ISO 3302-1 Class M3 and applies if not otherwise shown in the drawing.



This drawing is the property of LEDiL Oy. It may not be copied or otherwise distributed without prior written permission from LEDiL Oy.

SCALE	1:1	WEIGHT	48,49 g	A3	SHEET 1/1
-------	-----	--------	---------	----	-----------